

## Utility Trailer Stake Sides Installation Instructions

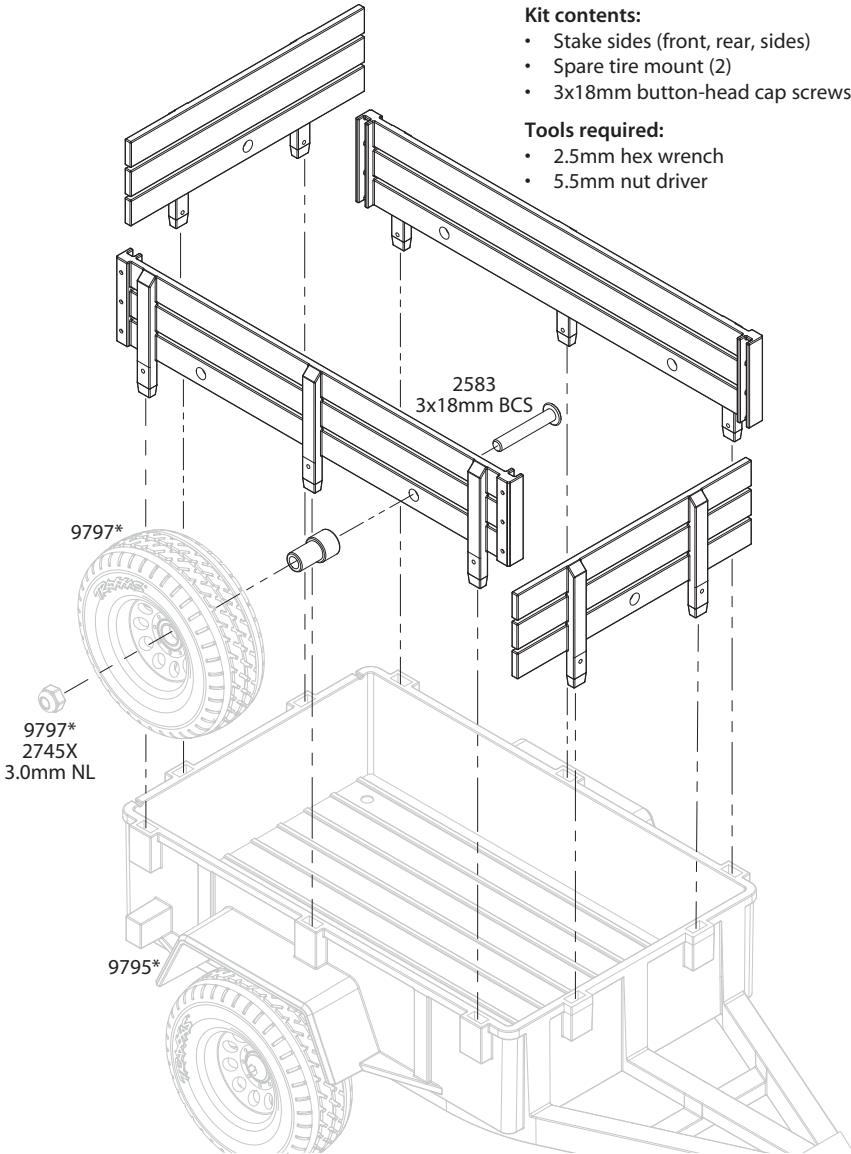
Covers Parts #9798

### Kit contents:

- Stake sides (front, rear, sides)
- Spare tire mount (2)
- 3x18mm button-head cap screws (BCS) (2)

### Tools required:

- 2.5mm hex wrench
- 5.5mm nut driver



\*Utility trailer (part #9795) and spare tire (part #9797), each sold separately

If you have questions or need technical assistance, call Traxxas at

# 1-888-TRAXXAS

(1-888-872-9927) (U.S. residents only)



Visite la página [TRAXXAS.com/manuals](http://TRAXXAS.com/manuals) para descargar el instrucciones en su idioma.

Auf [TRAXXAS.com/manuals](http://TRAXXAS.com/manuals) können Sie anleitung in Ihrer Sprache downloaden.

TRAXXAS.COM

Traxxas, 6250 Traxxas Way, McKinney, TX 75070, Phone: 972-549-3000, Fax: 972-549-3011, e-mail: [support@Traxxas.com](mailto:support@Traxxas.com)

HKC22095-R01 Rev 230104